

# **DESIGN AND IMPLEMENTATION OF PISTON BOWL GEOMETRY ON COMBUSTION AND EMISSIONS OF A DIRECT INJECTED DIESEL ENGINE**

**Navdeep Kumar<sup>1</sup>, KanwalJit Singh<sup>2</sup>**  
<sup>1,2</sup>Guru Kashi University, Talwandi Sabo

## **ABSTRACT**

The impact of cylinder bowl calculation on the exhibition and fumes outflows from a current day, quick direct-infusion (HSDI) diesel motor was researched. Four cylinder bowl calculation's (shapes) were arranged, produced and attempted in a preproduction HSDI diesel motor introduced on a whirl current dynamometer. A movement of test tests were performed to conclude the ideal injector arrangement for every cylinder bowl shape, the best bowl shape for least drive-cycle recreated outflows, and the impact of in-chamber spin proportion at different motor working circumstances. Comes about due to computational fluid elements (CFD) burning recreation of ludicrous injector setups, associated well with the trial designs watched. Full-load testing to conclude the ideal injector arrangement for every cylinder bowl shape demonstrated that exhaust discharges were particularly sensitive to the place of fuel impingement on the cylinder bowl dividers. Specifically, the example in the discharge of particulates and NO<sub>x</sub> was clarified in connection for the mark of fuel impingement, and maintained by CFD burning recreation. The discharge of smoke and particulates was seen to be dependent on divider wetting and late ignition. Key highlights for the productive blueprint of future HSDI cylinder bowl shapes were perceived, in light of the results from cylinder bowl examination tests at a choice of the European drive cycle reproduction conditions, The impact in-barrel spin proportion on motor execution and outflows was settled. An expansion in the pace of mixing and hotness discharge from higher spin commonly raised the outflow of NO<sub>x</sub>, but lessened smoke development at low motor rates. Benefits of an expansion in spin on outflows were invalidated at high motor velocities due to choking of the admission charge

**Keywords: HSDI Piston, Direct Injected Diesel Engine**

## **1. INTRODUCTION**

This adventure researches the impact of cylinder bowl shape, on state of the art quick direct infusion (HSDI) diesel motor burning and discharges. The endeavor was started in light of

interest from the Ford motor organization, for an expansion in the essential comprehension of this area of motor layout. Future fixing of administered fumes outflows, and an inexorably more limited arrangement and incubation period for each new motor overhaul, require a more essential way to deal with motor arrangement, as opposed to testing different varieties.

The endeavor was principally exploratory, maintained by CFD ignition reproduction. Testing was performed on a model, HSDI diesel motor planned for application to traveler vehicle estimated vehicles. A devoted test cell at Brunel University, containing a totally electronic, whirlpool current dynamometer was used for motor testing. Four assorted arrangement cylinder bowl shapes were had a go at, having a similar bowl volume yet huge layered varieties. CFD burning reproduction was performed using the KIVA-2 reenactment code, at Ford in Aachen, Germany, with investment by the creator, and with additional investigation and post planning by the creator at Brunel University. Exploratory and CFD comes about exhibited incredible connection, and permitted critical advances in the comprehension of the impact of cylinder bowl shape on burning and outflows to be made.

## **1.1 Philosophy of work and research technique**

It was chosen from initiation of the venture that an entire and systematic parametric investigation of piston bowl parameters was not feasible inside the time-scale and assets available. The approach adopted was one of learning from every cylinder bowl shape tried, and executing the information gained in the resulting bowl plan, with a view to a further reduction in exhaust emissions, Following improvement and testing of each new cylinder bowl shape, the results were broke down, and ends drawn from the arrangement acquired of the impact of cylinder bowl shape. The accompanying cylinder bowl shape was then made using AutoCAD, and conveyed from clear cylinders using a CNC machine. Taking after cylinder establishment and continue to run in, the strategy of cylinder bowl testing and examination was then rehashed.

The performance of each piston bowl shape was assessed by its quantity of exhaust emissions, at various test conditions. Test conditions were primarily looked over the 14-mode drive cycle simulation, intended to replicate vehicle engine speed and load prerequisites through a typical range of driving conditions. Particular emphasis was placed on the emission of particulates and

NO<sub>x</sub>, as a decent assessment of the overall piston bowl performance, and tolerance to EGR, Reducing the overall value of the particulates verses NO<sub>x</sub> trade-off was fundamental to fruitful piston bowl plan. In any case, the introduction of particulate traps or de-NO<sub>x</sub> catalysts may change the coveted operating characteristics of a given piston bowl shape later on.

## 2. EXPERIMENTAL FACILITY AND TEST ENGINE

The installation, commissioning and advancement of the venture engine and instrumentation into the cutting edge, PC controlled dynamometer, utilized for experimentation, is depicted in this chapter. Considerable advancement of the engine test facility was necessary before full testing could start. The venture engine provided by Ford was an improvement, pre-production, four cylinder, and HSDI diesel engine. The venture engine is referred to commercially as the "Lynx Upgrade", and will be alluded to as this or the venture engine' in future discussion The venture engine required a dynamometer capable of maintaining high engine speed and torque amid the duration of testing. Ease of changing operating condition (dynamometer torque and speed) was essential for rapid testing, when small changes were required. Consequently, an advanced whirlpool current dynamometer was decided for the experimental test facility.

The quality of the magnetic field decided the torque applied to the shaft (and therefore engine torque if there was no acceleration, as in steady-state testing), and was controlled externally from the Scheck dynamometer control board. Whirlpool streams created inside the rotor were shortcircuited, generating significant hotness. The dynamometer was cooled by water in what was effectively a total misfortune framework. Figure demonstrates a rearranged diagram of the Scheck vortex current dynamometer and control panel.

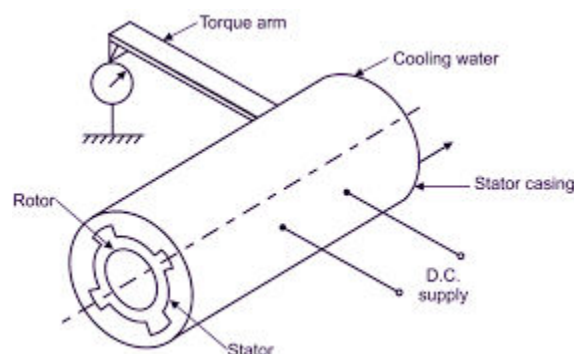


Figure 1: Scheck vortex current dynamometer and control panel.

- (1) Dynamometer containing attractive field-conveying stators and whirlpool current turning plate
- (2) Torque estimating unit, associated with the heap cell which was mounted among (1) and (3)  
(load cell not showed up)
- (3) Dynamometer base produced using an enormous substantial piece included by a metal edge
- (4) Disentangled control unit for control of motor speed and force

## 2.1 Dynamometer operating characteristics

Care was taken to guarantee the engine and dynamometer would function under stable operating conditions. Diesel engine torque generally decreases with speed, for a given fuelling demand. To guarantee stable operation, dynamometer torque must increase with speed. Examples of stable and unstable operating conditions of typical engine and dynamometer installations are appeared in figure.

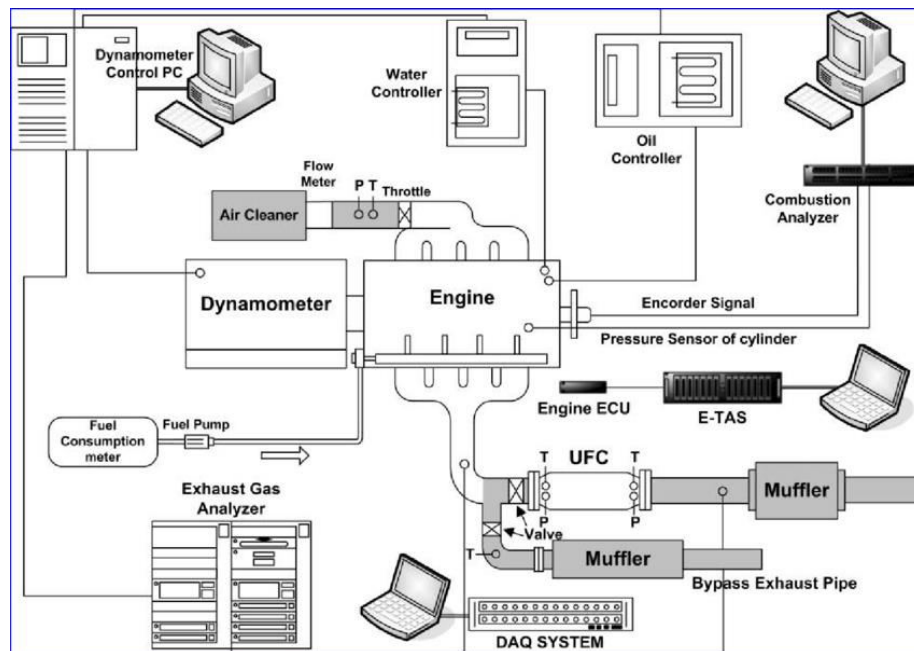


Figure 2 :Operating conditions of typical engine and dynamometer installations

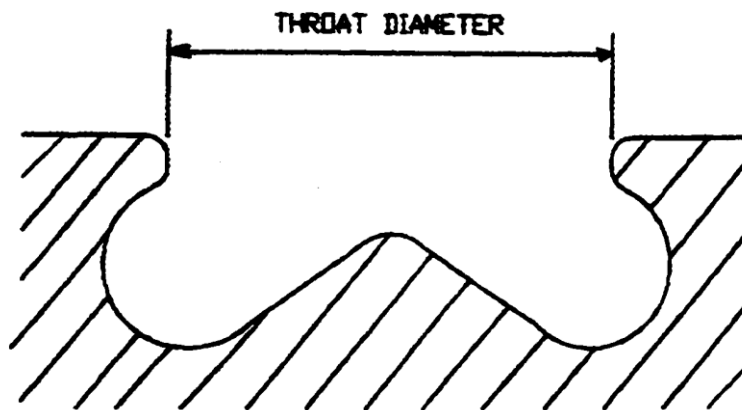
### 3. BOWL DESIGN CHANGES AND PHILOSOPHY

A total parametric investigation of the large number of piston bowl shape factors was unrealistic inside the time constraints of this venture. In addition, playing out a parametric review while maintaining constant compression ratio, would have made it hard to isolate one piston bowl shape factor for analysis without affecting many others.

The strategy for testing adopted for this venture was one of learning from the consequences of each bowl shape tried, and actualizing appropriate changes in the resulting bowl configuration to test the understanding gained.

#### Throat diameter

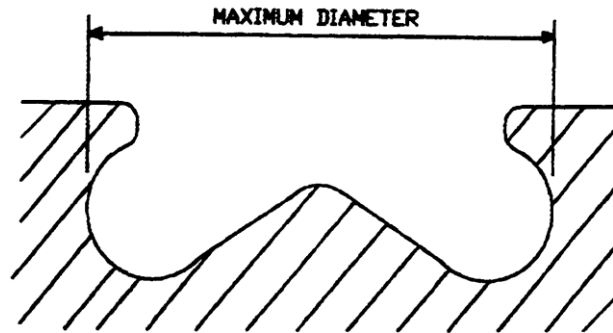
The distance across of the throat was described as the base breadth between the cylinder bowl edges, close to the cylinder best face. The proportion of the throat breadth to the most extreme bowl distance across portrayed how much re-entrancy of cylinder bowl plan. The throat distance across is showed up in the segment through a commonplace HSDI cylinder bowl



**Figure 3: Section through a typical HSDI piston bowl demonstrating the throat diameter**

The principle torodial sweep was one of the underlying boundaries describing another bowl frame, since it had such an enormous level of the absolute bowl volume.

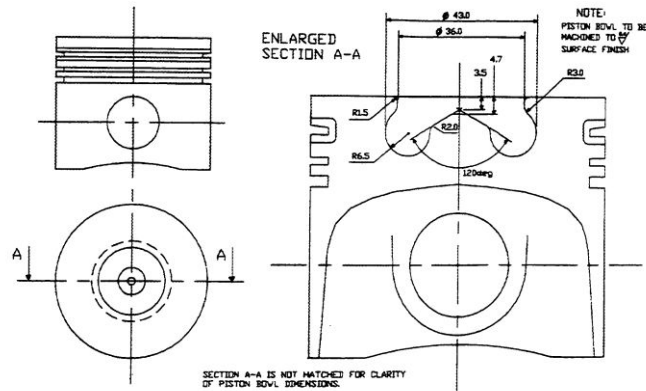
### MAN TERDIAL RADIUS



**Figure 4 : Section through a typical HSDI piston bowl demonstrating the main torodial radius.**

The volume contained inside the principle torodial sweep influences adjustment of the wind current actuated by crush activity, and fire engendering and improvement towards the cylinder bowl pip. The principle torodal span regularly obliged the diagram of the cylinder pip (on the off chance that the pip was expected to meet the fundamental torodial range at a digression), to stay away from discontinuities in the bowl segment profile.

Piston machining was sub-contracted to a small precision engineering company (Enjoys Group Limited, Middlesex). Manufacturing drawings and blank pistons were provided to Eljays Group Limited, from which they delivered a test sample in an aluminum bar, and taking after effective approval, machined a solitary arrangement of four pistons for each bowl plan. Figure 4.11 demonstrates the spatial relationship between the piston bowl shape and the piston casting, for bowl shape ONE.



**Figure 5: Illustration of the spatial relationship between the piston bowl volume and piston casting.**

#### 4. METHODOLOGY

Piston bowl shapes TWO and THREE were decided for testing because they contrasted generally in aspect ratio.

For each piston bowl shape, four engine test modes were picked at which to change the admission created spin level. The tests at these four modes were performed with the degree of EGR considered ideal by Ford for bowl shape STD at each mode. Each mode test was also repeated without EGR for comparison. Table 8.1 presents the full arrangement of test conditions used to assess the impact of in-chamber spin on outflows conditions used to assess the impact of admission created whirl on ignition, and exhaust discharges. The tests likewise recognized the impact of cylinder bowl shape on the best spin proportion (take note of that tests 5 to 8 were performed at the same mode conditions as tests 1 to 4, however with the addition of EGR).

At each test number (1 to 8 above), intake whirl was increased in discrete strides by shutting the port airflow diminishing flap mechanism (from now on alluded to as the port "de-activation" mechanism). The initial 30 degrees of the port de-activation flap conclusion actually brought about a slight decrease in the twirl ratio, conceivably because of interaction between the air-streams out of the two separate intake ports. At greater port deactivation flap angles, the intake-generated twirl from the more helical port outline dominated, increasing the whirl of the air trapped inside the chambers at bay valve conclusion.

## 5. ANALYSIS

Analysis of the effect of swirl ratio on emissions from piston bowl shape THREE (section 8.3), had demonstrated no advantage from an increase in swirl at the rapid mode conditions. Actually, a decrease in the emissions performance, because of throttling of the intake charge by the port deactivation framework and associated reduction in engine volumetric productivity was watched.

Intake framework losses were probably going to have been similar between the two bowl shapes tried (small contrasts existed in the reduction of intake air mass stream rate with an increase in swirl ratio, because of various turbo-charged performance). This brought about a generally the same deterioration in volumetric proficiency with port de-activation conclusion. Be that as it may, the emission of smoke from testing bowl shape TWO at the high-speed mode tests (modes 10 and 14), did not start to ascend until a higher swirl ratio at any given mode test. Demonstrates a direct comparison between the emission of smoke at test mode 10, for bowls TWO and THREE.

Typically, bowl shape TWO could tolerate a higher swirl ratio, before the production of intemperate smoke (see figure 8.11). Although there were no advantages of utilizing higher swirl ratios when testing bowl shape TWO at high engine speeds, a higher settled swirl could be utilized to profit low speed emissions if no variable emission framework was available.

## 6. CONCLUSION

Changes to the position of the spray birthplace, and spray included-angle were made by varying the injector profundity and cone angle separately. Each injector combination was tried at various full-load and part-load conditions. Full-load tests exhibited the best variety in burning and outflows execution, in view of the premium on air accessibility and all the seriously requesting air/fuel mixing expected at high-load test conditions The results showed that the motivation behind fuel impingement on the cylinder bowl dividers was the main consideration in the development of NO<sub>x</sub> and smoke, instead of the way of fuel infusion. Start delay and pre-mixed burning were un-impacted by changes in the motivation behind fuel impingement, due to the dependence of start delay on substance response energy, instead of mixing. Regardless, the



reason for fuel impingement significantly affected the methodology of dispersion seething and late hotness discharge.

The pace of mixing and hotness discharge expanded when the reason for impingement progressed shower separation and entrainment of air. Over entrance of fuel onto the cylinder crown beat at high motivations behind impingement, and divider wetting of the lower bowl surface at low reasons for impingement, appear to most likely have been liable for an expansion in the extent of late hotness discharge. This additionally achieved an expansion in the emanation of smoke.

The test conditions picked allowed direct comparison between piston bowl shapes at a variety of engine speeds and loads, representative of the European drive cycle test. In any case, advancement of infusion timing for every cylinder bowl shape, at each test condition might have improved the discharges execution of a couple of bowls. An infusion timing compass would also be helpful to assess the affectability of emissions to injection timing, particularly on account of particulate and NO<sub>x</sub> emissions,

The quantity of EGR was resolved amid experimentation by the reduction in the mass stream rate of intake air. This gave a repeatable parameter to guarantee the amount of outside air in the barrel, at any given level of EGR, could be controlled. In any case, changes in exhaust gas temperature between various tests decreased the thickness of EGR, and in this manner the mass of EGR in the intake charge. Comparison between EGR circles at various test conditions could be enhanced by measuring the amount of EGR as a mass fraction of the intake charge. This would make comparison of the level of EGR between various test conditions more meaningful. This would also facilitate comparison of the outcomes with those of different researchers who happened to cite EGR fraction on a mass basis.

## **REFERENCES**

- Asanuma T., and Obokata T., Gas Velocity Measurements of a Motored and Firing Engine by Laser Anemometry SAE Paper 790096, SAE Trans, vol. 88, 1979.

- Belardini P., Bertoli C., Corcione F. E., Police G., and Valentino G., "The Role of Mean Motion and Turbulence Structure on Gaseous and Particulate Emissions of D.I. Diesel Combustion System' SAE Paper 890839, 1989.
- Bertodo R., Brear F., Middlemiss I. D., and Cowling S. J., 'A Method of Direct Injection Diesel Emissions Control Inst. Mech. Engrs, C86/75, 1975.
- Bertodo R., Downes T. W. E., Middlemiss I. D., and Brear F., "Improvement of the Perkins "Squish Lip" Combustion System NATO-CCMS 2" SYMP. On Low Spray Impinging on a Flat Plate' International Symposium COMODIA 90, pp.193-198, 1990.
- Gosman A. D., "Multidimensional Modeling of Cold Flows and Turbulence in Reciprocating Engines" SAE Paper 850344, 1985.
- Greeves G., Khan I. M., Wang C. H. T., and Fenne I., "Sources of Hydrocarbon Emissions from Diesel Engines' SAE Paper 770259, SAE Trans, vol. 86, 1977.
- Hawley J. G., Brace C. J., Wallace F. J., and Horrocks R. W., "Combustion Related Emissions in CI Engines' Handbook of Air Pollution from Internal
- Hiroyasu H., Nishida K., Arai M., and Yoshikawa S., "A Visual Study of D.I. Diesel Combustion from the Under and Lateral Sides of an Engine SAE Paper 861182, 1986.
- Hiroyasu H., Nishida K., and Min J. C., "Processed Tomographic Study on Internal Structure of a Diesel Spray Impinging on a Flat Wall' International Symposium COMODIA90, pp193-198, 1990.
- Ikegami M., Shioji M., and Nishimoto K. "Turbulence Intensity and Spatial Integral Scale During Compression and Expansion Strokes in a Four-Cycle Reciprocating Engine" SAE Paper 870372, 1987.
- Kuo T., Yu R. C., and Shahed S. M., "A numerical investigation of the Transient Evaporating Spray Mixing Process in the Diesel Environment SAE Trans., vol. 92, 1983.
- Ladommatos N., Balian R. An., and Stone R., "Analysis of Swirl in Unsteady Flow and its Effect on Diesel Combustion SAE Paper 921643, 1992.
- Ladommatos N., Abdelhalim S., Zhao H., and Hu Z., "The Dilution, Chemical and Thermal Effects of Exhaust Gas Recirculation on Diesel Engine Emissions - Part 1 Effect of Reducing Inlet Charge Oxygen' SAE Paper 961165, 1996(c)

- Ladommatos N., Balin R. An., and Horrocks R., "Investigation of the Benefits of Controlling the Start of Combustion in a Direct Injection Diesel Engine utilizing an Optical Sensor Proc. Instin. Mech. Engrs. Vol 208, 1994.
- Ladommatos N., Balin R., Horrocks R., and Cooper L., "The Effect of Exhaust Gas Recirculation on Combustion and NO<sub>x</sub> Emissions in a High-Speed DirectInjection Diesel Engine SAE Paper 960840, 1996(a).
- Ladommatos N., Balin R., Horrocks R., and Cooper L., "The Effect of Exhaust Gas Recirculation on Soot Formation in a High-Speed Direct-Injection Diesel Engine' SAE Paper 960841, 1996(b).
- Lancaster D. R., 'Effects of Engine Variables on Turbulence in a Spark Ignition Engine" SAE Paper 760159, 1976.
- Lida N., Surrounding Gas Effects on Soot Formation and Extinction - Observation of Diesel Spray Combustion Using a Rapid Compression Machine' SAE Paper 930603, 1993.
- Liou T-M., Hall M., Santavicca D. An., and Bracco F. V., "Laser doppler velocimetry measurements in valved and ported engines' SAE Paper 840375, 1984.
- Maly R. R., "Advance in Combustion Research' Inst. Mech. Engrs. Combustion Engines Group Prestige Lecture, October 1998.
- Matsui Y., and Sugihara K., 'Wellsprings of Hydrocarbon Emissions from a Small Direct Injection Diesel Engine' JSAE Review Vol. 7, No.3, October 1986.
- McKinley T. L., Primus J. R., O'Rourke P. J., and Butler T. D., "Comparison of Computed and Measured Air Motion on Circular and Square Piston Cups' SAE Paper 881612, 1988.
- Merryman E. L., and Levy A., "Nitrogen Oxide Formation in Flames: The parts of NO and Fuel Nitrogen Proceedings of Fifteenth International Symposium on
- Combustion, pp.1073, The Combustion Institute, 1975. Middlemiss I. D., "Characteristics of the Perkins "Squish Lip' Direct Injection Combustion System' SAE Paper 780113, 1978.
- Nishida K., and Hiroyasu H., 'Disentangled Three-Dimensional Modeling of Mixture Formation and Combustion in a D.I. Diesel Engine' SAE Paper 890269, 1989.

- Ogasawara M., Takagi T., and Fujii K., Fundamental Studies on NO and CO Emissions and Their control in Combustion Systems' (2" Report, Numerical Study on Various Factors Affecting NO Formation and Effectiveness of Emissions Control Frameworks), Trans ofJSME, vol. 39, No.327, pp3427-3433, 1973.
- Okajima S., and Kumagai S., Experimental Investigation of Soot Formation and NOx Reduction by Impinging Spray in a Closed Vessel' Twenty-Third Symposium (International) on Combustion/The combustion Institute, 1990.

\*\*\*\*\*