

Replication of Human Hand Using Flex Sensor

S. Manavalan, M. Narayanan, J. Pranav, R. Ponmoorthy and
M. Sabeel Basha

Abstract--- *This paper explores the robotic hand where the ability of a human to do a task is limited but not by his mental power but by his physical strength. In an environment where human interaction cannot be possible to do a particular job where the robots can do. Here we design a robotic hand where it is controlled by the interaction with the human hand using flex sensor, ARDUINO UNO, X-bee module (Wi-Fi module) & servo motor. The system works on the values sent by the flex sensor to the controller, the same is analyzed and calculated how much the hand and the fingers has to move to grab an object which is also controlled by the five servo motors by the controller. The signals are transmitted and received via the Wi-Fi module.*

Keywords--- *Flex Sensor, Replication of Human Hand, Wi-Fi Module, Human Beings.*

I. INTRODUCTION

Human gestures are undoubtedly natural. They may often prove more efficient and powerful as compared to various other modes of interaction. The gestures are communicative, meaningful body motions- i.e. physical movement of the fingers, hands, arms, head, face, or body with the objective to convey information or interact with the environment. In our work gesture recognition has been proposed to understand the action of a hand.

To increase the use of robots where conditions are not certain such as firefighting or rescue operation we can make robots which follows the instruction of human operator and perform the task, in this way decisions are taken according to the working condition by the operator and task is performed by the robots. Thus we can use these robots to perform those tasks that may be harmful for human beings.

Why Robotic Arm?

There are many situations where humans just can't just get their hands onto something. There are numerous situations when humans can't directly involve themselves. Situations like working in canyons, caves, mining, works involving minute details like manufacture of watches, automobile parts, etc. The robotic arm has its applications not just in fields where things get smaller. It has huge applications in large industries, where a lot of manpower is needed. The robotic arm has great use when it comes to precision and monotonicity.

The research of robotic hand has grown significantly especially in the development of robotic prosthetic hand ranging from research hand to commercial hand. The available prosthetic hand in the market with great features is

S. Manavalan, Assistant Professor, Department of Mechanical Engineering, BIST, BIHER, Bharath Institute of Higher Education & Research, Selaiyur, Chennai. E-mail: manavalan.kannan@gmail.com

M. Narayanan, UG Scholar, Department of Mechanical Engineering, BIST, BIHER, Bharath Institute of Higher Education & Research, Selaiyur, Chennai.

J. Pranav, UG Scholar, Department of Mechanical Engineering, BIST, BIHER, Bharath Institute of Higher Education & Research, Selaiyur, Chennai.

R. Ponmoorthy, UG Scholar, Department of Mechanical Engineering, BIST, BIHER, Bharath Institute of Higher Education & Research, Selaiyur, Chennai.

M. Sabeel Basha, UG Scholar, Department of Mechanical Engineering, BIST, BIHER, Bharath Institute of Higher Education & Research, Selaiyur, Chennai.

very expensive that make it only certain people can buy it. The purpose of this research is to develop a low cost prosthetic hand using widely used mechatronics components. The hand must be easy to manufacture, and easy to maintain with the available component in the market. The prosthetic hand also must be able to perform activities of daily living (ADLs) such as take, grasp, and hold an object. Some researches about prosthetic hand significantly increased in the size, weight, and anthropomorphism. The prosthetic hand is used to replace the lost hand especially for transradial amputation. In order to the prosthetic hand can move using command from the remaining muscle of the amputee, the hand must read the muscle activities by using sensor. The most widely used sensor for reading the muscle activities is electromyography (EMG) sensor. Some research hands use pattern recognition method of the EMG signal to distinguish the hand movement or gesture. One of common pattern recognition method in the EMG signal recognition is neural network [1, 2].

This method is difficult to implement in the prosthetic hand control system due to the limitation of hardware memory in the microcontroller. The simple control algorithm is developed in this research using the flex sensors & servo motors to drive several grip pattern of prosthetic hand. Some open source hand is available today to reduce the cost and to increase manufacturability. Open source prosthetic hand based on 3D print are widely used Ada Hand [3] from Open Bionics and Dextrus [4] from Open Hand Project.

The state of the art prosthetic hands commercially available are Vincent Hand [5], Michelangelo [6], Bebionic [7], and iLimb [8]. They have great performance in ADLs especially for object grasping manipulation but they are still very expensive. In this paper, the research goal is try to develop an affordable five degree of freedom (DOF) robotic prosthetic hand and two joints in each finger. For performing the activities of daily living (ADLs), the hand is designed with seven grip patterns, using widely used low cost servo motor incorporating tendon-spring mechanism.

The proposed of the prosthetic hand must be able to grasping task with various objects and perform activities of daily living (ADLs). Based on the ref [9], the most used grasping pattern is power grip followed by precision grip. The prosthetic hand is designed with seven grip pattern to perform object grasping manipulation.

The merits of our Research

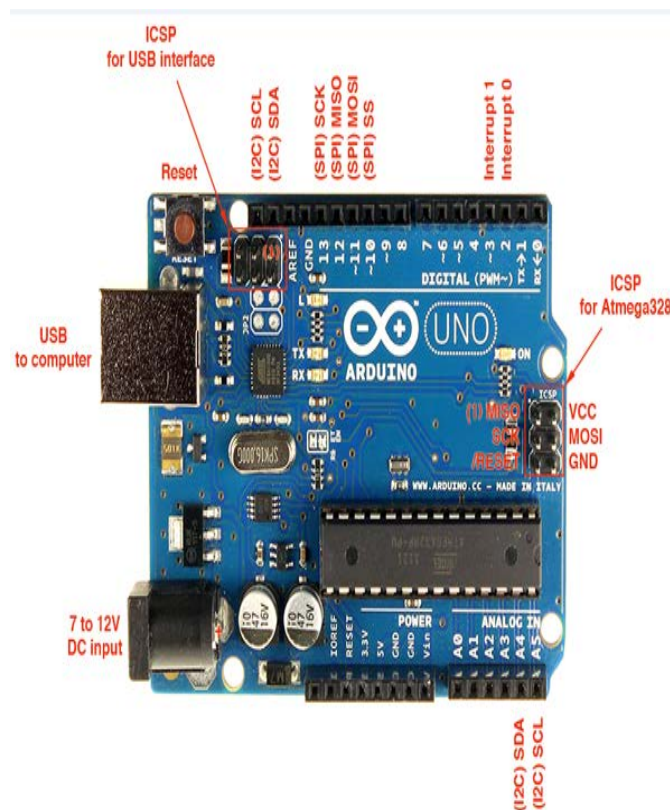
- It helps the people who have lost one of their hands or if it is paralysed.
- Low cost. The whole work can completed under 5000 rupees, which makes the robotic hand very affordable in comparisons to its present contemporary robotic hand proposal.
- Very easily portable. Its is easy to carry the hand around.
- Light weight 3D printed modules/parts, makes it very easy for the amputees to carry it around with them.
- Has a lot of scope for modification. Its working can be made completely automatic and wireless. It can be controlled through cloud or wifi.

II. HARDWARE AND SOFTWARE SYSTEM

Here is a brief description of working on our research work and also a way of the interaction of the various components used to create our work.

Arduino (UNO)

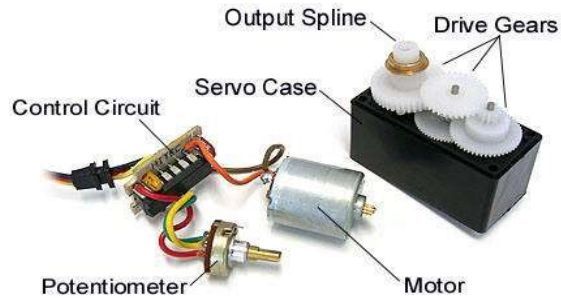
Arduino is an open source, computer hardware and software company, project, and user community that designs and manufactures microcontroller kits for building digital devices and interactive objects that can sense and control objects in the physical world. Arduino board designs use a variety of microprocessors and controllers. We have used the ARDUINO UNO, which has the At mega 328P microcontroller. The board is equipped 14 digital and 6 analog input/output (I/O) pins that may be interfaced to various expansion boards and other circuits. The boards feature serial communications interfaces, including Universal Serial Bus (USB) on some models, which are also used for loading programs for personal computers. The microcontrollers are typically programmed using a dialect of features from the programming languages C and C++. In addition to using traditional compiler tool chains, the Arduino project provides an integrated development environment (IDE) based on the Processing language project.



Servo Motors

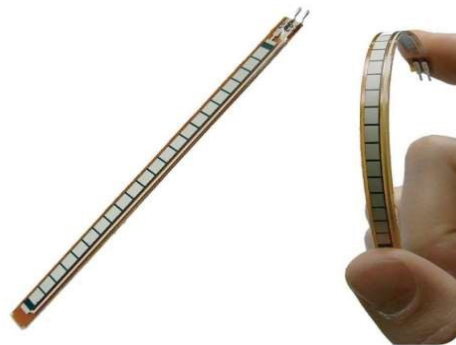
A servo motor is a rotary actuator or linear actuator that allows for precise control of angular or linear position, velocity and acceleration. It consists of a suitable motor coupled to a sensor for position feedback. The servo we are using here is a non-continuous servo which turns for 180° and then turn back to their original position. A servomotor is a closed-loop servomechanism that uses position feedback to control its motion and final position. The input to its control is a signal (either analogue or digital) representing the position commanded for the output shaft. The motor is paired with some type of encoder to provide position and speed feedback. In the simplest case, only the position is measured. The measured position of the output is compared to the command position, the external input to the

controller. If the output position differs from that required, an error signal is generated which then causes the motor to rotate in either direction, as needed to bring the output shaft to the appropriate position. As the positions approach, the error signal reduces to zero and the motor stops.



Flex Sensor

A sensor that measures the amount of deflection or bending. Usually the sensor is stuck to the surface, and resistance of sensor element is varied by bending the surface. Bending is similar to varying voltage and hence it is often called flexible potentiometer.



Robotic ARM

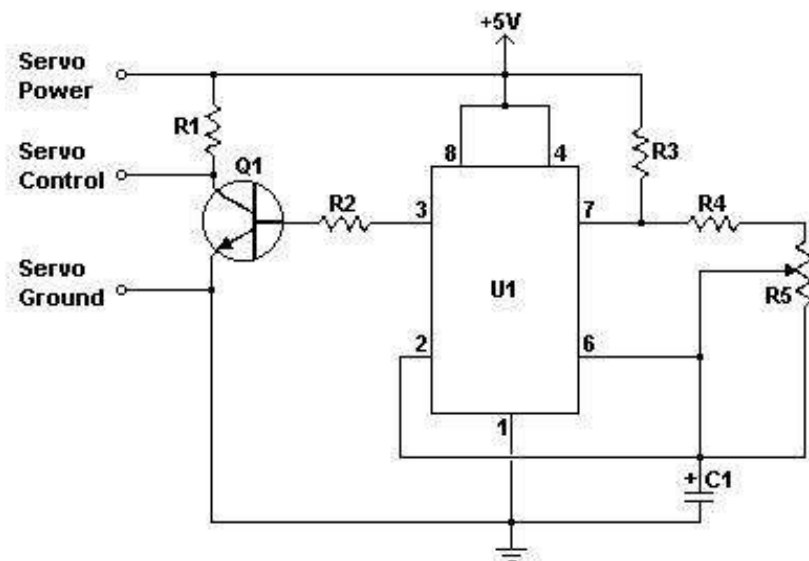
This is the Robotic hand's frame. It can be made from a lot of things like wood, plastic, metal, etc. It is the part that drives the main motive of the project. A 3D printed frame is the most suitable for this paper since it is easy to make, light weight and cheap. Almost any design specification can be met using 3D printing techniques.



- Other than these main components we need jumper
- Wires for connections.
- We need a bread board for converging all the
- Connections into one place.
- A 7.4v 2200 mAh Lithium-Poylmer battery to power
- The servo motors and 9v Nickel- Cadmium battery
- For powering the ARDUINO.
- Fishing nylon wires for the movements of the hand
- Frame.

Circuit diagram

Here is how the servo motors are connected. WiFi Circuit diagram The servo motor is a linear actuator. There are two types of servo motors, one which rotates 360° and is continuous and, another one which has a 180° rotation and is non continuous. The problem with continuous motor is that it does not move in the backward direction, it is always clockwise or anticlockwise. This is a drawback as the fingers move both front and back. Hence we chose the 180° , non-continuous motor



III. X-BEE TECHNOLOGY

X-Bee communication is specially built for control and sensor networks on IEEE 802.15.4 standard for wireless personal area networks (WPANs), and it is the product from X-Bee alliance. This communication standard defines physical and Media Access Control (MAC) layers to handle many devices at low-data rates. These X-Bee's WPANs operate at 868 MHz, 902-928MHz and 2.4 GHz frequencies. The data rate of 250 kbps is best suited for periodic as well as intermediate two way transmission of data between sensors and controllers



Connections

The servo motor has three connections. One is ground, one is power and the other one is for the digital output pin. Since these motors are capable of lifting heavy weights up to 9kg, these require power from external batteries. The wattage is 5v and the current required is 1A. Fig 8 shows how the flex sensors are connected.

The flex sensors are of three types:

- Conductive ink based flex sensor
- Fibre optic flex sensor
- Capacitive flex sensor

We have used a conductive ink based ink sensor in this paper. Each box in the flex sensor is filled with conductive ink. Each time there is a bend there is a change in the relative positions of the particles in the filler liquid. Hence there is a change in the resistance, and a change in the voltage. The flex sensor needs an analog input, power and ground connections. The flex sensors are of three types:

- Conductive ink based flex sensor
- Fibre optic flex sensor
- Capacitive flex sensor

We have used a conductive ink based ink sensor in this paper. Each box in the flex sensor is filled with conductive ink. Each time there is a bend there is a change in the relative positions of the particles in the filler liquid. Hence there is a change in the resistance, and a change in the voltage. The flex sensor needs an analog input, power and ground connections. Working the flow of data through various hardware components used in the paper. It starts from the Flex sensors , passes through the ARDUINO, goes to the servo motors and finally terminates in the hand frame simulation.

- The first step is to make sure all the connections are proper and ensure that there are no loose connections.

- We also verify whether all the servo motors are getting enough power from the battery.
- When the user wears the gloves, that have flex sensors attached to it and moves the hand, there is a change in the voltage due to the change in the resistance caused to the particles in the flex sensor.
- These voltage values are read as analog values from analog pins and given as input to the Arduino.
- These analog values must be converted to angles, which the servo motor will take as input. A function called 'map' is used for this.
- Once the values are in angles, they are given as the input to the servo motors. The value indicates the amount (angle) by which the servo motor must rotate.
- The flex values are converted in such a way that the amount of bend of the flex sensor in the glove is same as the amount by which the servo turns.
- This is done by lots of trial and errors and by extensive calibration.
- Doing this will ensure that the hand frame bends just like the hand of the user.
- The servo motors and the hand frame is connected using fishing nylon wire.
- When the servo motor rotates it pulls the string and hence the hand frame.
- Since the motor is a 180° non-continuous motor, the rotation can happen in both clockwise and anti-clockwise direction, and the hold and release simulation of the fingers of the hand can be achieved.
- When folded the motor turns in the clockwise direction and vice versa when released.

IV. RESULT AND DISCUSSION

After assembling all the components, and powering the Arduino and the servo motors, the hand frame simulates the user's hand almost perfectly. It replicates the motion of the user's hand, and hence moves exactly like a human hand.

V. CONCLUSION

The proposed of the prosthetic hand is light weight. The servo motors as actuator give the hand lightweight structure and low cost prosthetic hand. This hand can be used as prosthetic hand for transradial prosthesis because of its size and weight which approach the human hand. The prosthetic hand also has seven grip patterns that enable it to do activities of daily living. It works just like a human hand simulation, but with a lesser precision of course. The prosthetic hand just doesn't have applications in helping the physically disabled people, but also has wide applications in manufacture industries, field of aeronautics and space, in mining industries and many more.

REFERENCES

- [1] Thooyamani, K.P., Khanaa, V., & Udayakumar, R. (2014). Virtual instrumentation based process of agriculture by automation. *Middle-East Journal of Scientific Research*, 20(12): 2604-2612.
- [2] Udayakumar, R., Kaliyamurthie, K.P., & Khanaa, T.K. (2014). Data mining a boon: Predictive system for university topper women in academia. *World Applied Sciences Journal*, 29(14): 86-90.
- [3] Anbuselvi, S., Rebecca, L.J., Kumar, M.S., & Senthilvelan, T. (2012). GC-MS study of phytochemicals in black gram using two different organic manures. *J Chem Pharm Res.*, 4, 1246-1250.

- [4] Subramanian, A.P., Jaganathan, S.K., Manikandan, A., Pandiaraj, K.N., Gomathi, N., & Supriyanto, E. (2016). Recent trends in nano-based drug delivery systems for efficient delivery of phytochemicals in chemotherapy. *RSC Advances*, 6(54), 48294-48314.
- [5] Thooyamani, K.P., Khanaa, V., & Udayakumar, R. (2014). Partial encryption and partial inference control based disclosure in effective cost cloud. *Middle-East Journal of Scientific Research*, 20(12), 2456-2459.
- [6] Lingeswaran, K., Prasad Karamcheti, S.S., Gopikrishnan, M., & Ramu, G. (2014). Preparation and characterization of chemical bath deposited cds thin film for solar cell. *Middle-East Journal of Scientific Research*, 20(7), 812-814.
- [7] Maruthamani, D., Vadivel, S., Kumaravel, M., Saravanakumar, B., Paul, B., Dhar, S.S., Manikandan, A., & Ramadoss, G. (2017). Fine cutting edge shaped Bi₂O₃rods/reduced graphene oxide (RGO) composite for supercapacitor and visible-light photocatalytic applications. *Journal of colloid and interface science*, 498, 449-459.
- [8] Gopalakrishnan, K., Sundeep Aanand, J., & Udayakumar, R. (2014). Electrical properties of doped azopolyester. *Middle-East Journal of Scientific Research*, 20(11). 1402-1412.
- [9] Subhashree, A.R., Parameaswari, P.J., Shanthi, B., Revathy, C., & Parijatham, B.O. (2012). The reference intervals for the haematological parameters in healthy adult population of chennai, southern India. *Journal of Clinical and Diagnostic Research: JCDR*, 6(10), 1675-1680.
- [10] Niranjana, U., Subramanyam, R.B.V., & Khanaa, V. (2010, September). Developing a web recommendation system based on closed sequential patterns. In *International Conference on Advances in Information and Communication Technologies*, 101, 171-179. Springer, Berlin, Heidelberg.
- [11] Slimani, Y., Baykal, A., & Manikandan, A. (2018). Effect of Cr³⁺ substitution on AC susceptibility of Ba hexaferrite nanoparticles. *Journal of Magnetism and Magnetic Materials*, 458, 204-212.
- [12] Premkumar, S., Ramu, G., Gunasekaran, S., & Baskar, D. (2014). Solar industrial process heating associated with thermal energy storage for feed water heating. *Middle East Journal of Scientific Research*, 20(11), 1686-1688.
- [13] Kumar, S.S., Karrunakaran, C.M., Rao, M.R.K., & Balasubramanian, M.P. (2011). Inhibitory effects of *Indigofera aspalathoides* on 20-methylcholanthrene-induced chemical carcinogenesis in rats. *Journal of carcinogenesis*, 10.
- [14] Beula Devamalar, P.M., Thulasi Bai, V., & Srivatsa, S.K. (2009). Design and architecture of real time web-centric tele health diabetes diagnosis expert system. *International Journal of Medical Engineering and Informatics*, 1(3), 307-317.
- [15] Ravichandran, A.T., Srinivas, J., Karthick, R., Manikandan, A., & Baykal, A. (2018). Facile combustion synthesis, structural, morphological, optical and antibacterial studies of Bi_{1-x}Al_xFeO₃ (0.0 ≤ x ≤ 0.15) nanoparticles. *Ceramics International*, 44(11), 13247-13252.
- [16] Thovhogi, N., Park, E., Manikandan, E., Maaza, M., & Gurib-Fakim, A. (2016). Physical properties of CdO nanoparticles synthesized by green chemistry via Hibiscus Sabdariffa flower extract. *Journal of Alloys and Compounds*, 655, 314-320.
- [17] Thooyamani, K.P., Khanaa, V., & Udayakumar, R. (2014). Wide area wireless networks-IETF. *Middle-East Journal of Scientific Research*, 20(12), 2042-2046.
- [18] Sundar Raj, M., Saravanan, T., & Srinivasan, V. (2014). Design of silicon-carbide based cascaded multilevel inverter. *Middle-East Journal of Scientific Research*, 20(12), 1785- 1791.
- [19] Achudhan, M., Jayakumar M.P. (2014). Mathematical modeling and control of an electrically-heated catalyst. *International Journal of Applied Engineering Research*, 9(23), 23013.
- [20] Thooyamani, K.P., Khanaa, V., & Udayakumar, R. (2013). Application of pattern recognition for farsi license plate recognition. *Middle-East Journal of Scientific Research*, 18(12), 1768-1774.
- [21] Jebaraj, S., Iniyan S. (2006). Renewable energy programmes in India. *International Journal of Global Energy Issues*, 26(43528), 232-257.
- [22] Sharmila, S., & Jeyanthi Rebecca, L. (2013). Md Saduzzaman., Biodegradation of domestic effluent using different solvent extracts of *Murraya koenigii*. *J Chem and Pharm Res*, 5(2), 279-282.

- [23] Asiri, S., Sertkol, M., Guner, S., Gungunes, H., Bato, K.M., Saleh, T.A., Manikandan A., & Baykal, A. (2018). Hydrothermal synthesis of $\text{CoZnMn}_{1-2}\text{yFe}_2\text{O}_4$ nanoferrites: magneto-optical investigation. *Ceramics International*, 44(5), 5751-5759.
- [24] Rani, A.J., & Mythili, S.V. (2014). Study on total antioxidant status in relation to oxidative stress in type 2 diabetes mellitus. *Journal of clinical and diagnostic research: JCDR*, 8(3), 108-110.
- [25] Karthik, B. (2014). Arulselvi, Noise removal using mixtures of projected gaussian scale mixtures. *Middle-East Journal of Scientific Research*, 20(12), 2335-2340.
- [26] Karthik, B., Arulselvi, & Selvaraj, A. (2014). Test data compression architecture for low power VLSI testing. *Middle - East Journal of Scientific Research*, 20(12), 2331-2334.
- [27] Vijayaragavan, S.P., Karthik, B., & Kiran Kumar, T.V.U. (2014). Privacy conscious screening framework for frequently moving objects. *Middle-East Journal of Scientific Research*, 20(8), 1000-1005.
- [28] Kaliyapurthi, K.P., Parameswari, D., & Udayakumar, R. (2013). QOS aware privacy preserving location monitoring in wireless sensor network. *Indian Journal of Science and Technology*, 6(5), 4648-4652.
- [29] Silambarasu, A., Manikandan, A., & Balakrishnan, K. (2017). Room-temperature superparamagnetism and enhanced photocatalytic activity of magnetically reusable spinel ZnFe_2O_4 nanocatalysts. *Journal of Superconductivity and Novel Magnetism*, 30(9), 2631-2640.
- [30] Jasmin, M., Vigneshwaran, T., & Beulah Hemalatha, S. (2015). Design of power aware on chip embedded memory based FSM encoding in FPGA. *International Journal of Applied Engineering Research*, 10(2), 4487-4496.
- [31] Philomina, S., & Karthik, B. (2014). Wi-Fi energy meter implementation using embedded linux in ARM 9. *Middle-East Journal of Scientific Research*, 20, 2434-2438.
- [32] Vijayaragavan, S.P., Karthik, B., & Kiran Kumar, T.V.U. (2014). A DFIG based wind generation system with unbalanced stator and grid condition. *Middle-East Journal of Scientific Research*, 20(8), 913-917.
- [33] Rajakumari, S.B., & Nalini, C. (2014). An efficient data mining dataset preparation using aggregation in relational database. *Indian Journal of Science and Technology*, 7, 44-46.
- [34] Karthik, B., Kiran Kumar, T.V.U., Vijayaragavan, P., & Bharath Kumaran, E. (2013). Design of a digital PLL using $0.35\ \mu\text{m}$ CMOS technology. *Middle-East Journal of Scientific Research*, 18(12), 1803-1806.
- [35] Sudhakar, P., Jagadeesh, D., Wang, Y., Prasad, C.V., Devi, A.K., Balakrishnan, G., Kim B.S., & Song, J.I. (2013). Fabrication of Borassus fruit lignocellulose fiber/PP composites and comparison with jute, sisal and coir fibers. *Carbohydrate polymers*, 98(1), 1002-1010.
- [36] Kamalavathi, E., & Dr. Radhakrishnan, R. (2015). *International Scientific Journal on Science Engineering & Technology*, 18(8), 277-291.
- [37] Beula Princy, S., & Dr. Duraisamy, S. (2016). Analysis of Retinal Images Using Detection of the Blood Vessels by Optic Disc and Optic Cup Segmentation Method. *International Scientific Journal on Science Engineering & Technology*, 19(2), 33-40.
- [38] Kumaresan, D.C., & Dr. Selvan, P. (2016). A Survey on Two Port DC-DC Converter Topologies for Energy Preservation, *International Scientific Journal on Science Engineering & Technology*, 19 (4), 66-73.
- [39] Parikh, N. (2016). Partial Identification Framework for the Identification of Multi-Input Multi-Output System. *International Scientific Journal on Science Engineering & Technology*, 19(5), 79-86.
- [40] Dr. Baskaran, S., Sampath, P., Sarathkumar, P., Sivashankar, S., & Vasanth Kumar, K. (2017). Implementation of Health Care Unit using Web Server through IoT. *The SIJ Transactions on Computer Science Engineering & its Applications*, 5(2), 15-17.
- [41] Rajkumar, G., Shalini, A., Sujatha, A., Vinodhini, G., & Yuvarani, E. (2017). Tracking of Soldiers Location in any Environment using Intelligent Tracking and Health Indication System by using RSSI. *The SIJ Transactions on Computer Science Engineering & its Applications*, 5(3), 6-10.
- [42] Mohammed, S., Dr. Ramkumar, L., & Rajasekar, V.R. (2017). A Novel Method using Convolutional Neural Network for Segmenting BrainTumor in MRI Images. *The SIJ Transactions on Computer Science Engineering & its Applications*, 5(3), 11-16.
- [43] Sabarisha Malathi, P., & Dr. Vanathi, D. (2019). A Study of Data Storage Security Issues in Cloud Computing. *Bonfring International Journal of Software Engineering and Soft Computing*, 9(2), 5-7.

- [44] Magesh Babu, M., Samundeeswari, R., Saranya, P., Sathiyapriya, R., & Susipriya, S. (2017). Analysis of Rapid Routing in FANET. *The SIJ Transactions on Computer Networks & Communication Engineering (CNCE)*, 5(5), 1-5.
- [45] Dhinakaran, M., Sivapriya, S., Thirugnanasoundari, K., & Vanmathi, V. (2017). Distributed System in Mobile Agent Communication. *The SIJ Transactions on Computer Networks & Communication Engineering (CNCE)*, 5(5), 5-9.
- [46] Kanniga, E., & Sundararajan, M. (2011). Modelling and characterization of DCO using pass transistors. In *Future Intelligent Information Systems*, 86(1), 451-457. Springer, Berlin, Heidelberg.
- [47] Sachithanandam, P., Meikandaan, T.P., & Srividya, T. Steel framed multi storey residential building analysis and design. *International Journal of Applied Engineering Research*, 9(22), 5527-5529.
- [48] Kaliyamurthie, K.P., Udayakumar, R., Parameswari, D., & Mugunthan, S.N. (2013). Highly secured online voting system over network. *Indian Journal of Science and Technology*, 6(S6), 4831-4836.
- [49] Sathyaseelan, B., Manikandan, E., Lakshmanan, V., Baskaran, I., Sivakumar, K., Ladhunanandasivam, R., Kennedy, J., & Maaza, M. (2016). Structural, optical and morphological properties of post-growth calcined TiO₂ nanopowder for opto-electronic device application: Ex-situ studies. *Journal of Alloys and Compounds*, 671, 486-492.
- [50] Saravanan, T., Sundar Raj M., & Gopalakrishnan K. (2014). SMES technology, SMES and facts system, applications, advantages and technical limitations. *Middle - East Journal of Scientific Research*, 20(11), 1353-1358.